



KEYSTONE

The F257-065 is a quarter turn style pneumatic actuator available in direct acting and spring return option

Features

- Simple robust construction.
- Maintenance friendly, semi serviceable design.
- Drives from 25-65 mm (1"-2.5") butterfly valves.
- Easy-fit mounting kit, allows actuators to be fitted without plant shutdowns.
- Available in direct acting and spring return configuration.
- Fitted with either high visibility indicator or F783 control head.

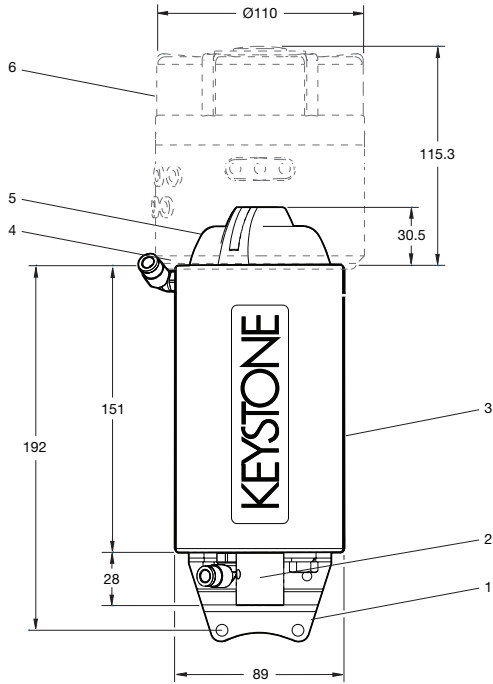


General applications

- Breweries
- Dairy industry
- Wineries, canneries and food processing
- Pharmaceuticals and chemical industries
- Beverages

Technical data

Air supply
Min: 550 kPa (80 psi)
Max: 800 kPa (115 psi)



Technical data

Target Keystone valve range

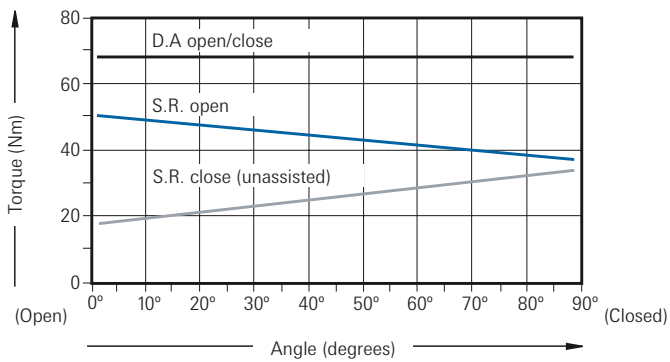
F250 1" to 2.5"

F251 1" to 2"

Parts list

No.	Description	Material	Standard
1	Mounting bracket	304 SS	AISI 304 SS
2	Drive boss	304 SS	AISI 304 SS
3	Cylinder	304 SS	AISI 304 SS
4	Top plate	304 SS	AISI 304 SS
5	High visibility indicator	Nylon	-
6	F783 control head	Nylon	-

Actuator values



Typical sequencing sequence

Example:	F257	065	SR or DA
	Figure no.	Size	Configuration