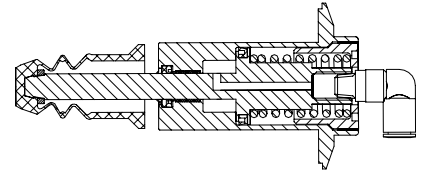
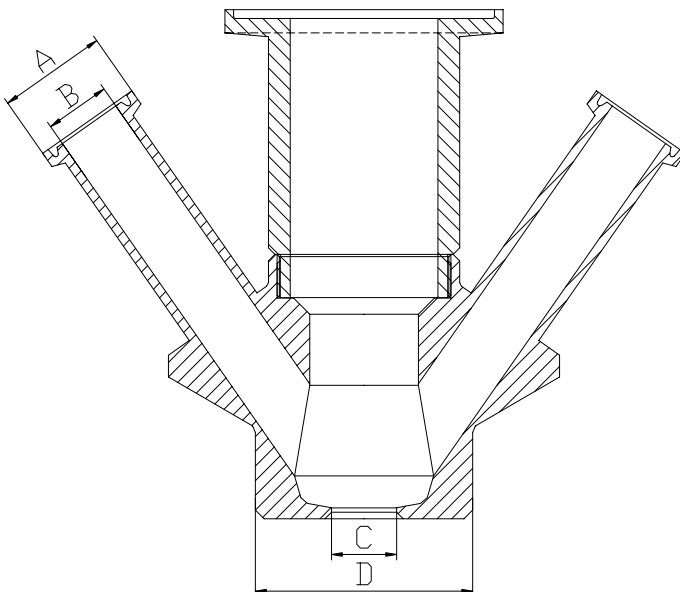
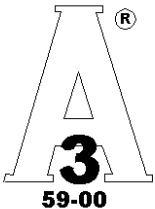
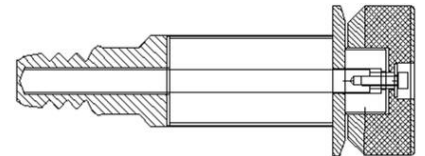


Valve Head W15 Type N
Item no.: 865544



Valve head W 15 Type H
Item no.: 865541



Where to use :	Tanks	
In / Outlet:	Mini-tri clamp	
Material:	AISI 316L	(1.4404)
Material certificate:	3.1.B	
Electropolish:	Outside	
Installation:	Welding	
Key measurements		
Drawing part A:	Ø25 mm.	Ø0.98 In.
Drawing part B:	Ø15 mm.	Ø0.59 In.
Drawing part C:	Ø15 mm.	Ø0.59 In.
Drawing part D:	Ø48 mm.	Ø1.89 In.
Inner surface:	Ra 0.8 µm	
Net weight:	1.7 kg./pc	3.75lb
Working temperature depends on choice of valve head.		
Working pressure depends on choice of valve head.		