

COMPACT PERFECTPITCH

YEAST MONITOR RANGE



Description

COMPACT PERFECTPITCH

Part Number

4330-00

The PERFECTPITCH is a portable skid that incorporates a COMPACT ADAPT yeast monitor, a flow meter, pipework and mini-PLC. So if the brewer needs a self contained module or the flexibility to connect the yeast monitor to various yeast storage vessels and fermenters, the PERFECTPITCH provides the ideal solution at an affordable price.

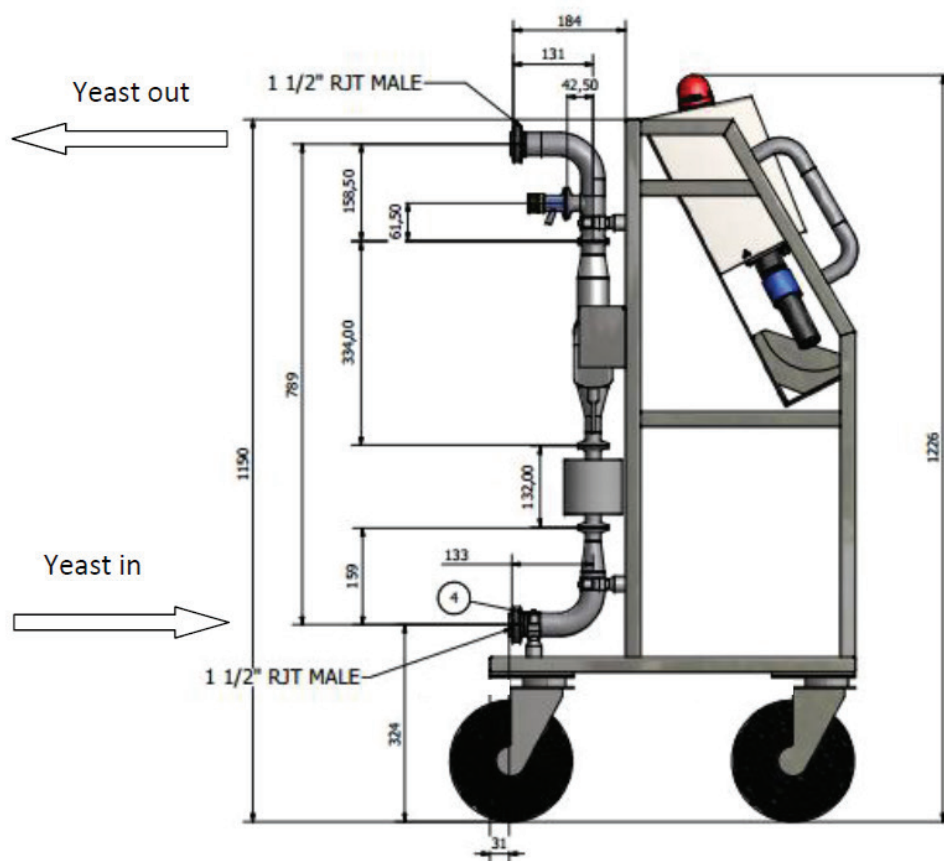
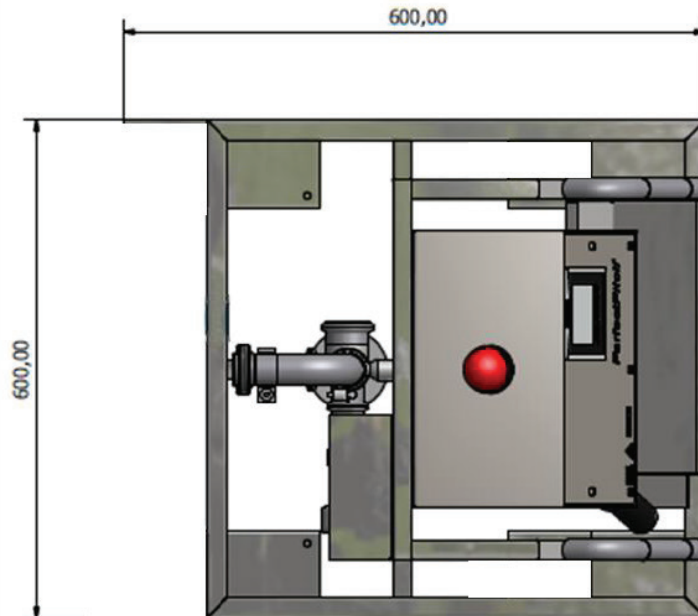
Technical Specifications

Measuring Ranges:	0 to 100 % Viable Spun Solids 0 to 6×10^9 cells/ml Note: These limits will not be reached in normal operation
Practical Operating Ranges:	Depends on cell sizes but typically: 0.5 - 70% Viable Spun solids 25×10^6 cells/ml to 5×10^9 cells/ml Conductivity range of 0.75 to 3.0mS/cm 20 yeast strain storage
Power Supply:	100 to 240V AC input max 260V (Single phase), 45-65Hz, 15 Watts maximum. Refer to Quint PSU instruction note for more details.
Power Connection:	Connected to 900 Series Buccaneer 32A, 600V ac/dc rating. Refer to manufacturers wiring instructions Pt no. PX0911/03/S.
Power Cord:	3 core power cable (Live, Neutral, Earth) Current rating: 10-20A, Jacket material: PVC, Jacket OD: PX0980 gland pack for PX0911/03/S 7-9mm Dark grey, 9-11mm White, 11-13mm Black. Use suitable gland.
Electrical/EMC Safety:	Electrical safety Class 1 appliance handling. MUST BE GROUNDED – refer to installation in user manual. Fuses – Live and Neutral fused. Refer to 6.2.3
Environmental:	Safe ambient operating temperature range: 5°C to 40°C Recommended ambient operating temperature range: 15°C to 30°C Relative Humidity: < 80%, Pollution: degree 2 (EN61010) Recommended operating altitude: < 2000 m Maximum operating pressure for COMPACT unit: 10 Bar
Construction Material:	All Wetted parts 316L. Plus other FDA approved materials
Yeast Monitor:	COMPACT ADAPT YEAST MONITOR
Probe:	Adapt Probe: Flush Standard brewery probe 25x75mm. ABER Part No: 3420-52
Flow Meter:	Positive Displacement, Magnetic pulse via a reed switch Construction material: PEEK
Flow Range (litres/hr):	110-2,300 (Based on water)
Skid weight:	58Kg
Floor area:	600x600mm (when all wheels are facing outwards)
Enclosure:	IP65
Mains Connector	IP68 – when mated, or with protective cap fitted
Pipe Connector type - In/out:	RJT (Male Type) 1.5"
Secondary I/O:	Auxillary relay switch option (Refer to Manual)

COMPACT PERFECTPITCH

YEAST MONITOR RANGE

System Dimensions



30/07/2014